

Mi • Light[®]

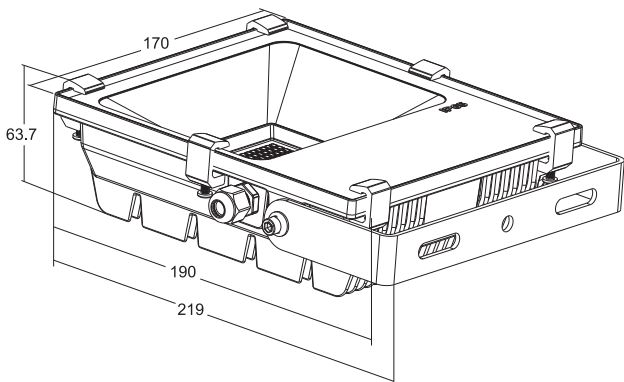
User Instruction

RGBW LED Floodlight

Model No.: FUTT01

Product Description

- 2.4G RF Remote Controllable, 16 Millions of Colors Changing, Saturation Control.
- The LED floodlights have the function of automatic signal transmitting. The lamps can send each other signal within 30 meters, which makes the sensing distance limitless.



Technical Parameters

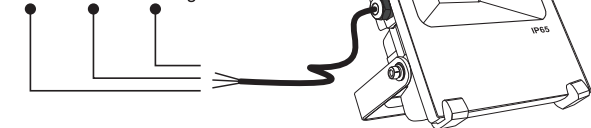
Voltage: AC86-265V 50~60Hz
PF: >0.9
Power: 35W
Standby Power Consumption: 1.2W
Light Efficiency: 83LM/W
CRI: >80

Color Temperature: 2700K-6500K
Luminous Flux: 2500LM
Size: 95*236mm
Beam Angle: 160°
IP Rate: IP65

Installation

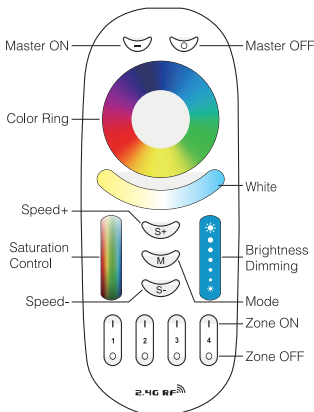
AC86V~265V

(L) Brown (N) Blue (≐) Yellow-green

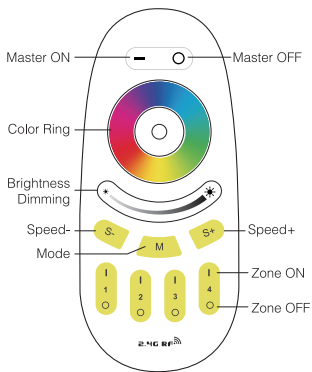


2.4G RF Remote Controllable

Compatible with both of the remotes below, RF wireless control, control distance as long as 30 meters.



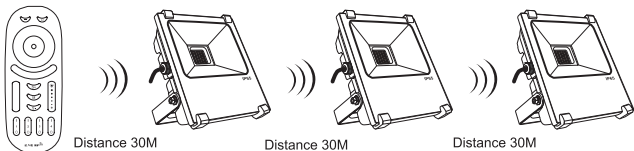
Model No.: FUT092



Model No.: FUT096

Automatic Commands Transmitting Function

One floodlight can send the commands from the remote control to another, which makes the control distance limitless. (The distance from one light to another has to be within 30M)



Link/Unlink:

Link: First power off, then power on, within 3 seconds touch any of the Zone-ON button 3 times shortly, the link is done when you see the light blinks 3 times with green color, otherwise try again later.

Unlink: First power off, then power on, within 3 seconds touch the linked Zone-ON button or the Master-ON button 5 times shortly, the unlink is done when you see the light blinks 10 times with red color, otherwise try again later.



Made in China