

2.4G Wireless LED Downlight Instruction Manual [0162]

(Compatible with Dual White Remote Control series, RGBW Remote Control series and WiFi Controller)

1. Introduction

Welcome to the Smart LED Lighting System. This manual describes two types of downlights, Dual White Downlight and RGBW Led Downlight. They can work with the corresponding dual white remote control and RGBW remote control, or iOS and Android App via WiFi Controller. Quick and Easy installation of the Smart downlight is the same as any other common downlight. The downlight can also be switched on at the wall for 2.4Ghz wireless operation, allowing the remote control/App to turn the LED downlight on/off, change the color temperature, dim/brighten and color change. Secure communication is done by syncing the remote/App and downlight once.

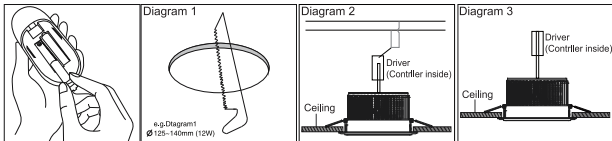
2. Safety Guide

To reduce the risk of electric shock, please ensure the power is not connected when you install the downlight. Even though the light body is cold to touch shortly after normal operation, please be careful when handling the metal cooling fins as they may contain sharp edges. Always hold the light by the acrylic part. If the light is damaged, please seek professional electrical assistance, or please discard the light .

3. Downlight and Wireless Remote/App Installation

3.1 Battery Installation

•Please take the remote control and carefully press the battery cover and push it away in a downward motion. Install two AAA batteries as is shown in the picture, exactly match the negative (-) pole of each battery to the largest spring. Don't touch the color ring when you install the batteries. Place the battery cover back and install tightly.



3.2 App installation

Download and finish the installation of the iOS or Android App as per ***Wifi Controller User Instruction***

3.3 LED downlight Installation

- 1). This product is suitable for the ceiling-mounted installation.
- 2). Please open the hole on the ceiling according to the correct size of

8.Hole Size (e.g. Diagram 1)

- 3). Connect the driver properly according to the wire connection Diagram 2. and then put the driver and wire into the ceiling from the hole.
- 4). Push in the two spring elements, make sure that they are deployed and anchored on the back of the ceiling.

Notice: Amateurs do not disassemble or install the lamps.

- Lamp installation must be correct and strict, solid and reliable, avoid long time using in violent vibration place.
- The lamps send out normal quantity of heat during working. Please don't use any cover to cover the body of the lamps.

- Switch on the power, the led downlight will light under normal circumstances.
- Sync a remote or your App to the downlight as per ***Linking new lights to the remote controls (from the Dual White Remote Control or RGBW Remote Control User Instruction)*** and set to full brightness, change color or white.
- If the downlight does not sync, then firstly clear the previous channel as per ***Unlinking the lights (from the Dual White Remote Control or RGBW Remote Control User Instruction)***

4.Addition of Downlights

Follow the below steps to sync the smart remote/App when you need to add new downlights

- Switch it on, and within 2 seconds press the “Channel On” button that you want to sync the downlight with. For full details see *grouping multiple lights(from the dual white remote control or rgbw remote control user instruction)*
- Continue this same process for all remotes/App you wish to sync the new light with, for App sync please refer to *Wifi Controller User Instruction!*

5. Frequently Asked Questions (FAQ)

Question: Can four individual remotes or smart phones control the same downlight?

Answer: Yes, one channel on each remote/App can control the same downlight.

Question: What is the control distance and frequency?

Answer: The remote control system is designed to IEEE 802.15.4 standards, the remote distance is 20 meters, and the frequency is 2.4GHz. And for smart phone, you can control your lights everywhere all over the world!

Question: Does the remote or the phone have to point at the LED downlight when I use it to control the light?

Answer: No, 2.4Ghz wireless signals will work through any walls in the home.

6. Troubleshooting

6.1 The downlight does not respond to the remote or the phone App?

- Check if the power is switched on at the wall.
- Check if the battery levels of the remote are normal or if the App is stuck, if App is stuck, log out and log in to try again.
- Check if the downlight is synchronized with other channels on the remote or App.

6.2 The downlight changes unexpectedly by itself.

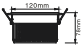


- Possible reason: The downlight may be controlled by another remote.



Solution: You can resolve this by clearing/resetting the downlight as per instructions 3.3

7. PLEASE DISCARD LED DOWNLIGHT RESPONSIBLY

As per all electronic devices, please discard the light according to your local regulations. Please remove the batteries before discarding the remote, the used batteries should be dealt with according to your local regulations.

8.Hole Size

Power	Shape	Hole Size (mm)	Picture
12W	round	125-140mm	
	round panel	185mm	
	square panel	155mm	

Power	Shape	Hole Size (mm)	Picture
6W	round	78-95mm	
9W	round panel	155mm	
	square panel	132mm	