

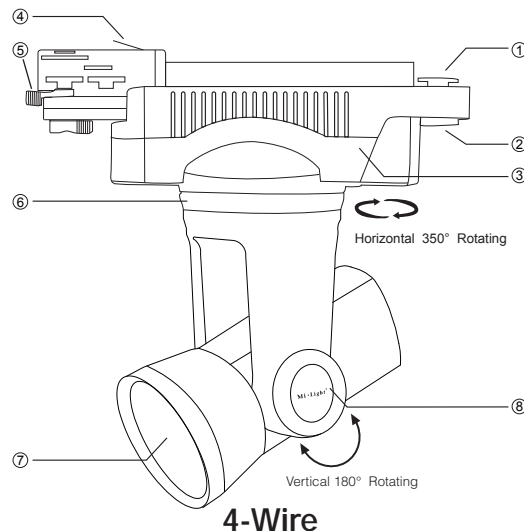
Mi·Light[®]

User Instruction

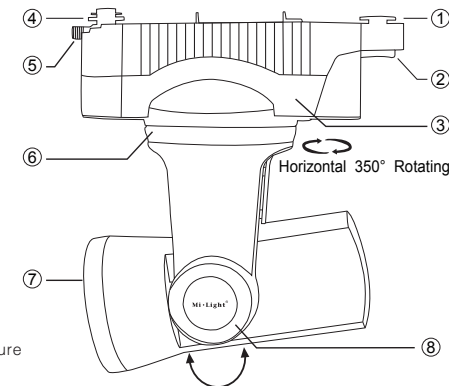
1. Product Description

- Adopting 2.4GHz RF tech, this product is totally brand new and smart.
- With RF remote control or smart phone App, the track light can change color, brightness, saturation, and lighting angles more precisely.
- With the remote control or smart phone App, you can control many track lights at the same time, or even individually.
- The status of the track lights can be even saved in the remote or the App.

2. Structure specifications



- | | |
|-----------------|-------------------------------|
| ① Fixing buckle | ⑤ Rotating |
| ② Rotating | ⑥ Left-Right Rotating Fixture |
| ③ Rail Base | ⑦ LED Light |
| ④ Connector | ⑧ Up-Down Rotating Fixture |



- | |
|-------------------------------|
| ① Fixing buckle |
| ② Rotating |
| ③ Rail Base |
| ④ Connector |
| ⑤ Rotating |
| ⑥ Left-Right Rotating Fixture |
| ⑦ LED Light |
| ⑧ Up-Down Rotating Fixture |

Vertical 180° Rotating
2-Wire

3. Functions(Refer to FUT090 LED Track Light user manual)



99 Zones

One remote can control many track lights at the same time or individually, totally up to 99 zones, up to 9999 lights.



Directions

Rotating directions freely, horizontal 350; vertical 180; all your needs can be realized by remote control.



Optional: RGBW / Dual White / Single White

Dimmable & Color temperature Adjustable, Color Changing & Saturation Control.



2.4GHz RF Transmission Tech

Low power consumption, long distance control, anti-interference, and high communication speed.



Memory

You can save and choose color, and the direction of the tracklights.



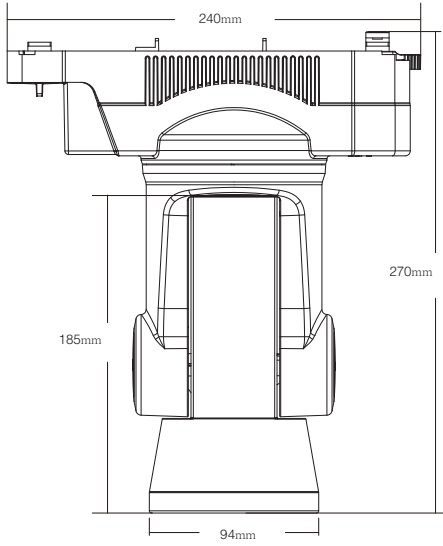
LCD Screen

With the LCD screen, you can see the color rate, kelvin, saturation rate, brightness clearly.

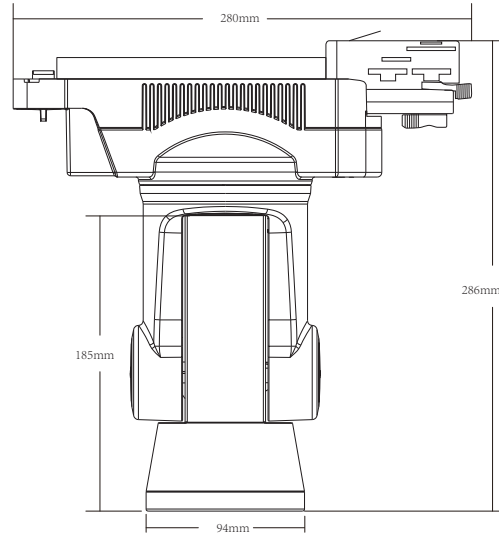
Alpha Lite

Model No.: AL1/ AL2 /AL3/AL4/AL5/AL6

4. Technical Parameters



2-Wire

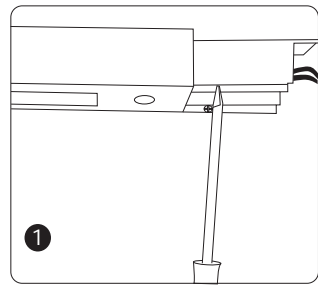


4-Wire

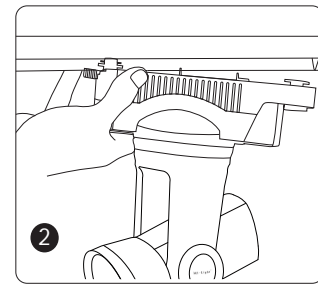
Product Name	Alpha Lite (Single White)	Alpha Lite (Dual White)	Alpha Lite (RGBW)
Model No.	AL1	AL2	AL3
Power	25W	25W	25W
Voltage	AC 86-265V/50-60Hz	AC 86-265V/50-60Hz	AC 86-265V/50-60Hz
Color Temperature	2700-3200K/6000-6500K	2700-6500K	2700-3200K/6000-6500K
Luminous Flux	2000LM	2200LM	2020LM
Luminous Efficiency	85LM/W	90LM/W	85LM/W
PF	>0.9	>0.9	>0.9
CRI	90	80	80
Rail Type	2-Wire	2-Wire	2-Wire
Control Distance	30m	30m	30m

Product Name	Alpha Lite (Single White)	Alpha Lite (Dual White)	Alpha Lite (RGBW)
Model No.	AL4	AL5	AL6
Power	25W	25W	25W
Voltage:	AC 86-265V/50-60Hz	AC 86-265V/50-60Hz	AC 86-265V/50-60Hz
Color Temperature	2700-3200K/6000-6500K	2700-6500K	2700-3200K/6000-6500K
Luminous Flux	2000LM	2200LM	2020LM
Luminous Efficiency	85LM/W	90LM/W	85LM/W
PF	>0.9	>0.9	>0.9
CRI	90	80	>80
Rail Type	4-Wire	4-Wire	4-Wire
Control Distance	30m	30m	30m

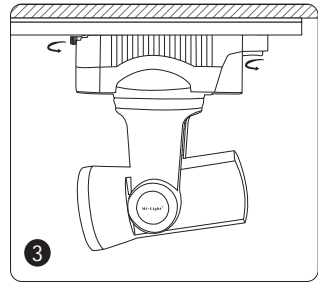
5. Installation



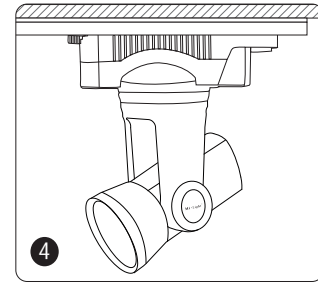
1 Install the rail, supply the power.



2 Put the base into the rail



3 Fix the screw to fit the base.



4 Finish installation.



Made in China